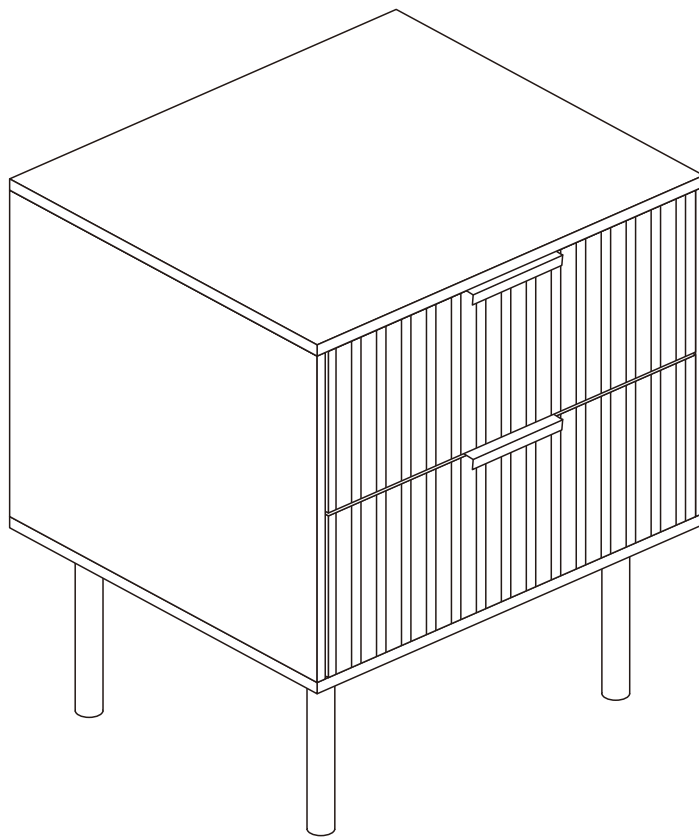
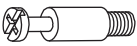

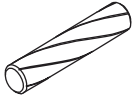




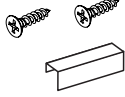

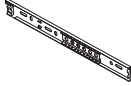


Night Stand

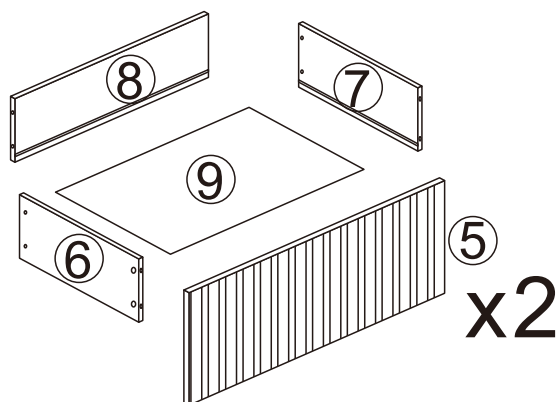
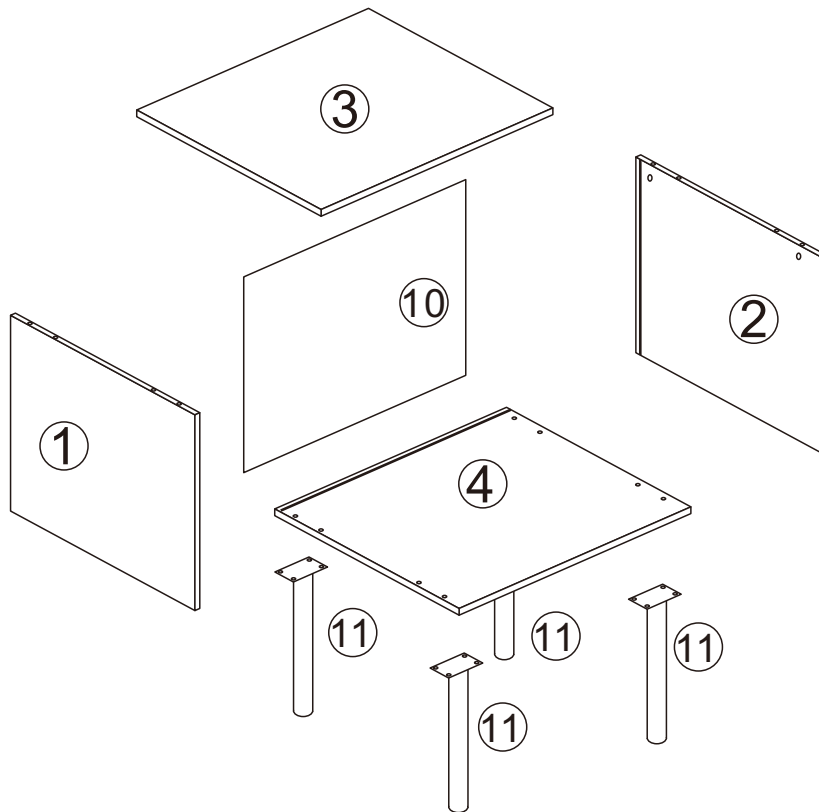


ASSEMBLY INSTRUCTION

HARDWARE LIST

<p>A</p> <p>12pcs</p>		<p>B</p> <p>12pcs</p>		<p>C</p> <p>8pcs</p>		<p>D</p> <p>12pcs</p>	
<p>E</p> <p>4pcs</p>		<p>F</p> <p>16pcs</p>		<p>G</p> <p>20pcs</p>		<p>H</p> <p>2pcs</p>	
<p>I</p> <p>4pcs</p>		<p>J</p> <p>4pcs</p>					

PARTS LIST



ASSEMBLY STEPS

STEP 1.

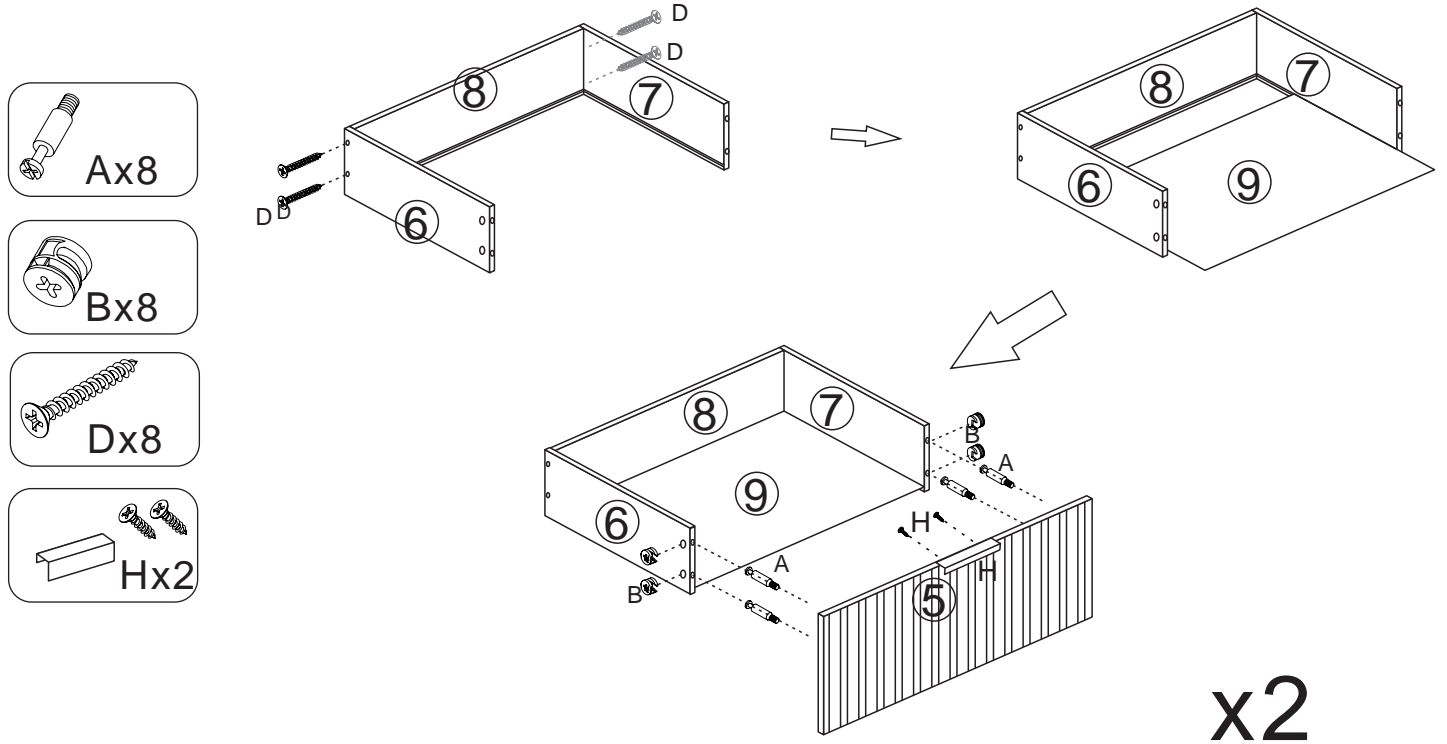
Fix parts 6 and 7 to part 8 using screws (D).

Insert part 9 into grooves of parts 6, 7 and 8, as shown.

Insert quickfit screws (A) to parts 5, and fix handles (H) to parts 5 using screws (H), as shown.

Insert cam locks (B) into parts 6 and 7 and attach part 5, as shown.

Turn cam lock clockwise to tighten.



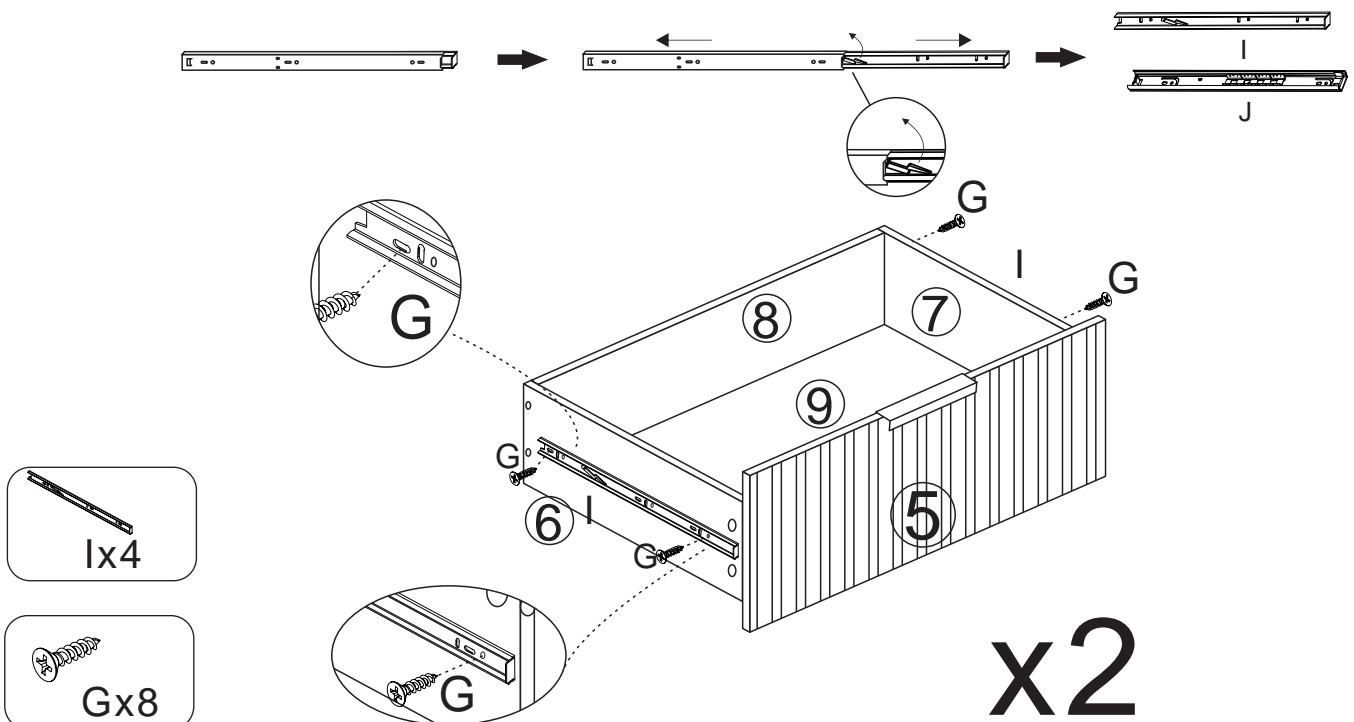
STEP 2.

Slide drawer runner (I) and (J) apart until the drawer lock can be seen, as shown.

Press and hold the drawer runner upwards and then continue to slide drawers runners apart, as shown.

Your inner and outer drawer runners are ready to be fixed to panels.

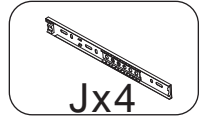
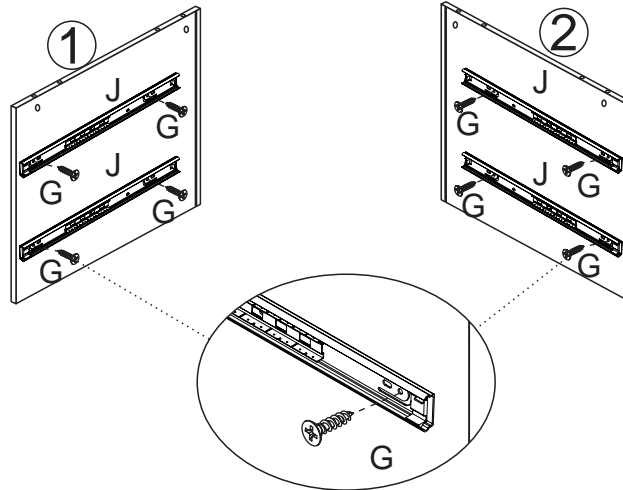
Fix inner drawer runners (I) to assembled drawers using screws (G), as shown.



ASSEMBLY STEPS

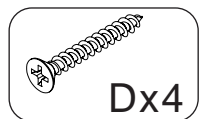
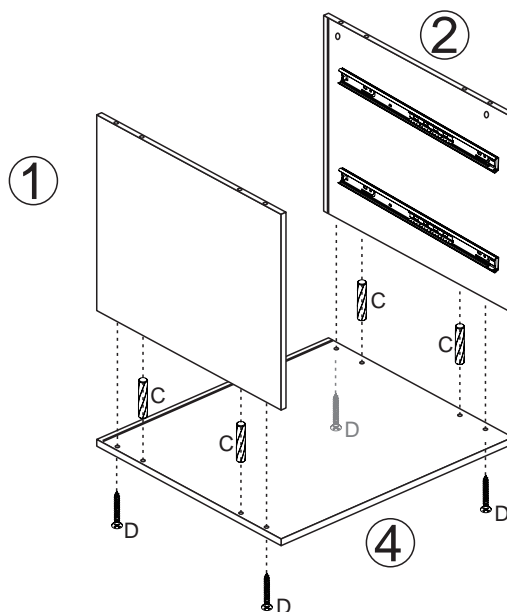
STEP 3.

Fix outer drawer runners (J) to parts 1 and 2 using screws (G), as shown.



STEP 4.

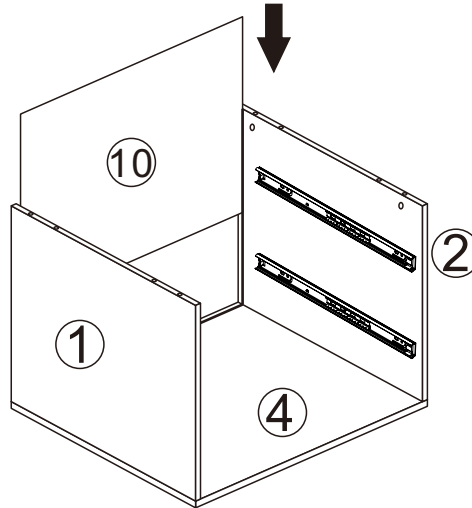
Insert wooden dowels (C) into parts 1 and 2 and attach to part 4 using screws (D), as shown.



ASSEMBLY STEPS

STEP 5.

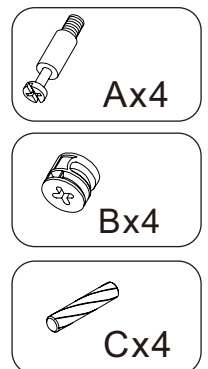
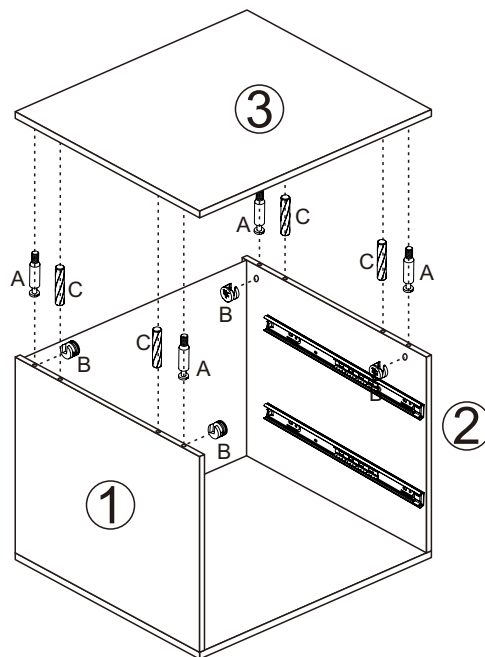
Insert part 10 into grooves of parts 1, 2 and 4, as shown.



STEP 6.

Insert quickfit screws (A) to part 3.

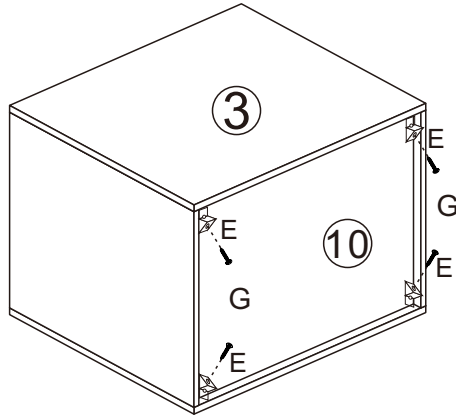
Insert cam locks (B) and wooden dowels (C) to parts 1 and 2 and attach to part 3, as shown.
Turn cam lock clockwise to tighten.



ASSEMBLY STEPS

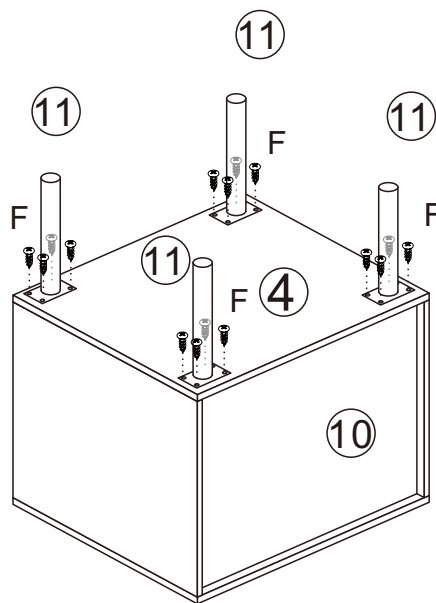
STEP 7.

Fix corner brackets (E) to part 10 using screws (G), as shown.



STEP 8.

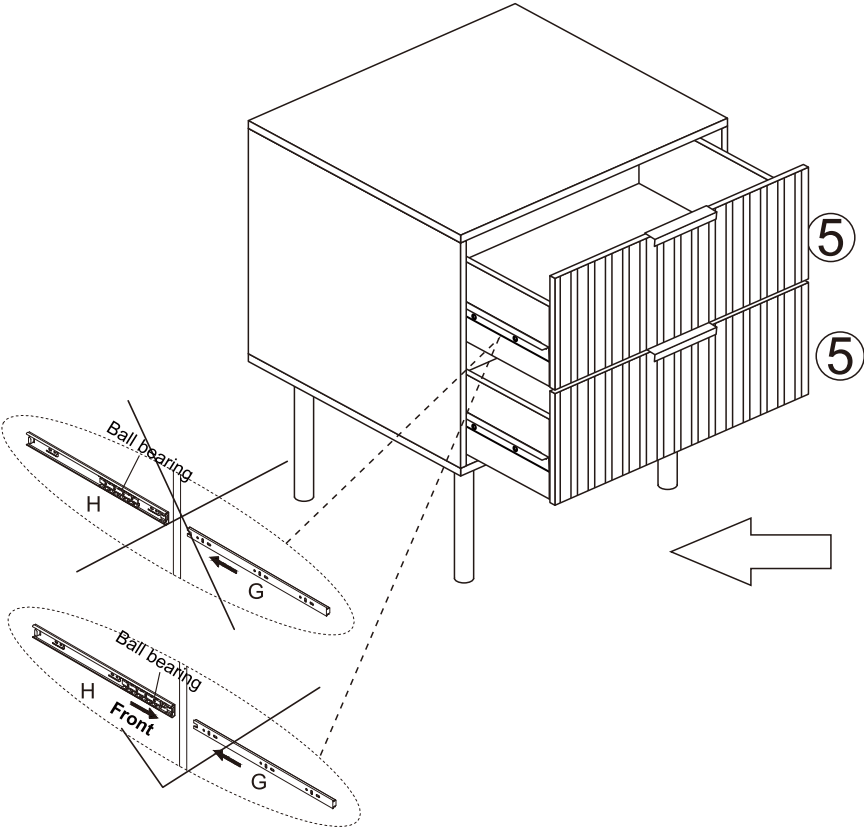
Fix legs 11 to part 4 using screws (F), as shown.



ASSEMBLY STEPS

STEP 9.

Insert drawers into assembled unit, as shown.



STEP 10.

